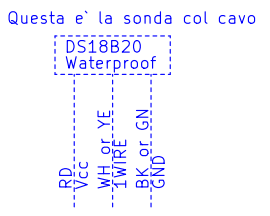
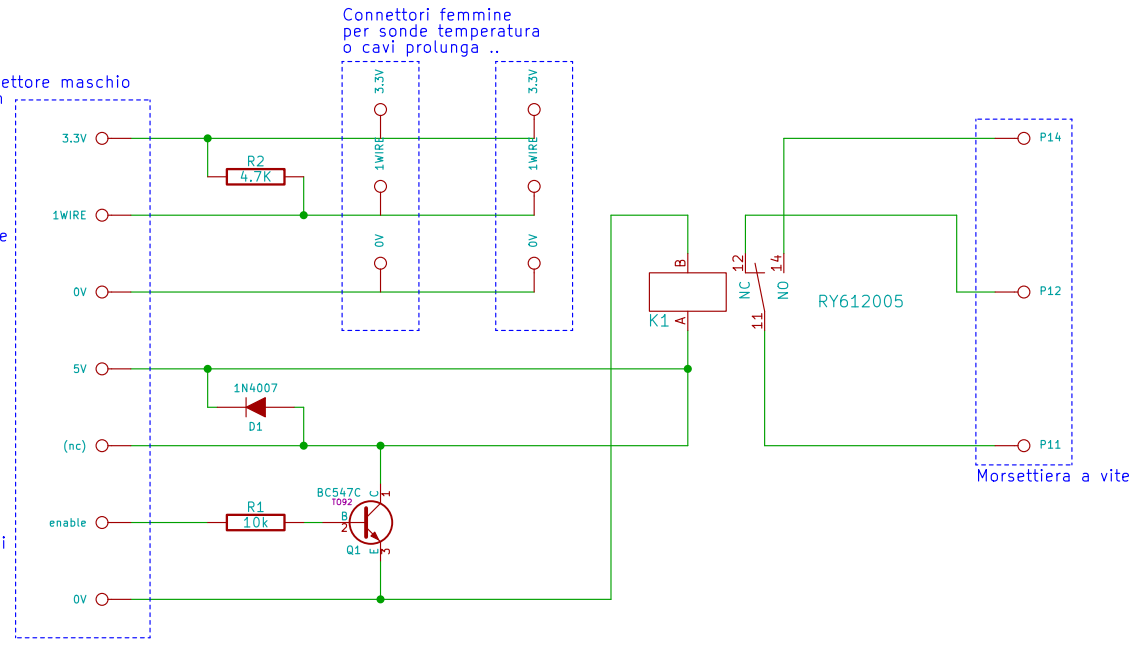


ATTENZIONE:
Questa e' la vista "sotto".



GPIO4 (pin 7)
Raspberry Pi 1 Wire

GPIO17 (pin 11)
Uscita Raspberry Pi



Drawn by "dave4th"	
https://github.com/raspibo/Thermo	
License: MIT (http://opensource.org/licenses/MIT)	
File: raspberrypi-thermo.sch	
Sheet: /	
Title: Circuito RPi Thermo	
Size: A4	Date: 11 jan 2015
KiCad E.D.A.	Rev: 0.0.3
	Id: 1/1